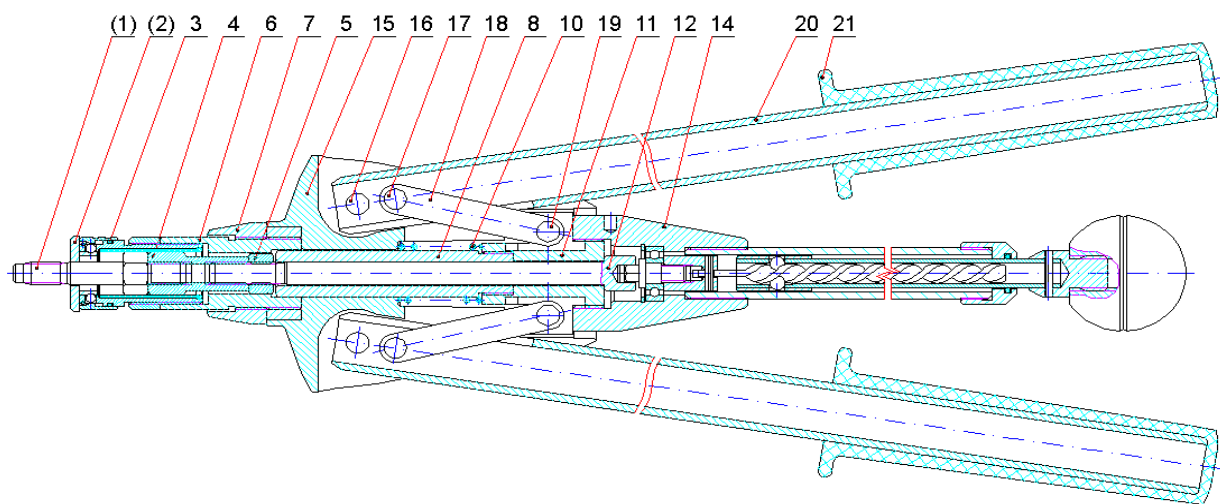


M 4+



| Position | Article Nr. | Quantity | | Description |
|----------|-------------|----------|-----|------------------------------------|
| (1) | D-1400106 | 1 | pcs | Mandrel M6 |
| (1) | D-1400108 | 1 | pcs | Mandrel M8 |
| (1) | D-1400110 | 1 | pcs | Mandrel M10 |
| (1) | D-1400112 | 1 | pcs | Mandrel M12 |
| (2) | D-2301606 | 1 | pcs | Insert M6 |
| (2) | D-2301608 | 1 | pcs | Insert M8 |
| (2) | D-2301610 | 1 | pcs | Insert M10 |
| (2) | D-2301612 | 1 | pcs | Insert M12 |
| 3 | S-2301800 | 1 | pcs | Anvil complete |
| 4 | D-2302200 | 1 | pcs | Connecting nut |
| 5 | D-1400500 | 1 | pcs | Counternut |
| 6 | S-2302000 | 1 | pcs | Front nozzle with stroke indicator |
| 7 | D-2102400 | 1 | pcs | Sleeve of front nozzle |
| 8 | D-2302600 | 1 | pcs | Connecting tube |
| 10 | D-00551300 | 1 | pcs | Pull-off spring |
| 11 | D-2502800 | 1 | pcs | Rear body |
| 12 | D-2502900 | 1 | pcs | Spindle combination |
| 14 | S-2503000 | 1 | pcs | Spindle unit |
| 15 | D-2103200 | 1 | pcs | Plastic body |
| 16 | D-2103400 | 2 | pcs | Pivot pin |
| 17 | D-2103400 | 2 | pcs | Pivot pin |
| 18 | D-2103600 | 2 | pcs | Bracket |
| 19 | D-2103800 | 2 | pcs | Pin of body |
| 20 | D-2204001 | 2 | pcs | Lever 280 (black color) |
| 21 | D-00551701 | 2 | pcs | Plastic grip (black color) |